

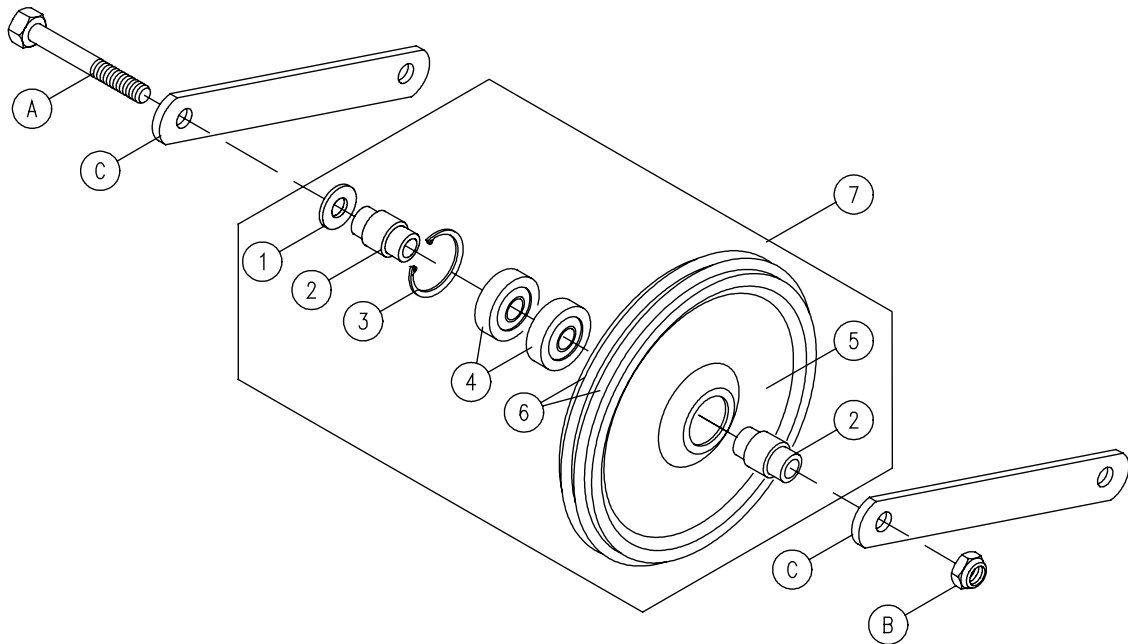
DRIVE MOTOR WHEEL Conversion Kit #2915

Product Information Bulletin #2916

#2915 Drive Motor Wheel Conversion Kit replaces:

#AU-255	Drive Wheel
#1203-09-01	Drive Motor Wheel

Install as shown below:



A	1059	HHCS 1/4-28 X 2 1/4"
B	1088	Locknut, Nylon Insert 1/4-28
C	1202	Drive Motor Wheel Arm
Note: items A, B & C not included in kit #2915		
1	1076	Flatwasher 1/4"
2	2141	Wheel/Roller Spacer
3	2224	Retaining Ring Internal 7/8"
4	2066	Bearing Drive Wheel 7/8 OD X 3/8 ID
5	2140	Drive Motor Wheel Assembly (includes items 3, 4 & 6)
6	2362	Drive Motor Rubber Tire O-ring
7	2915	Drive Motor Wheel Conversion Kit