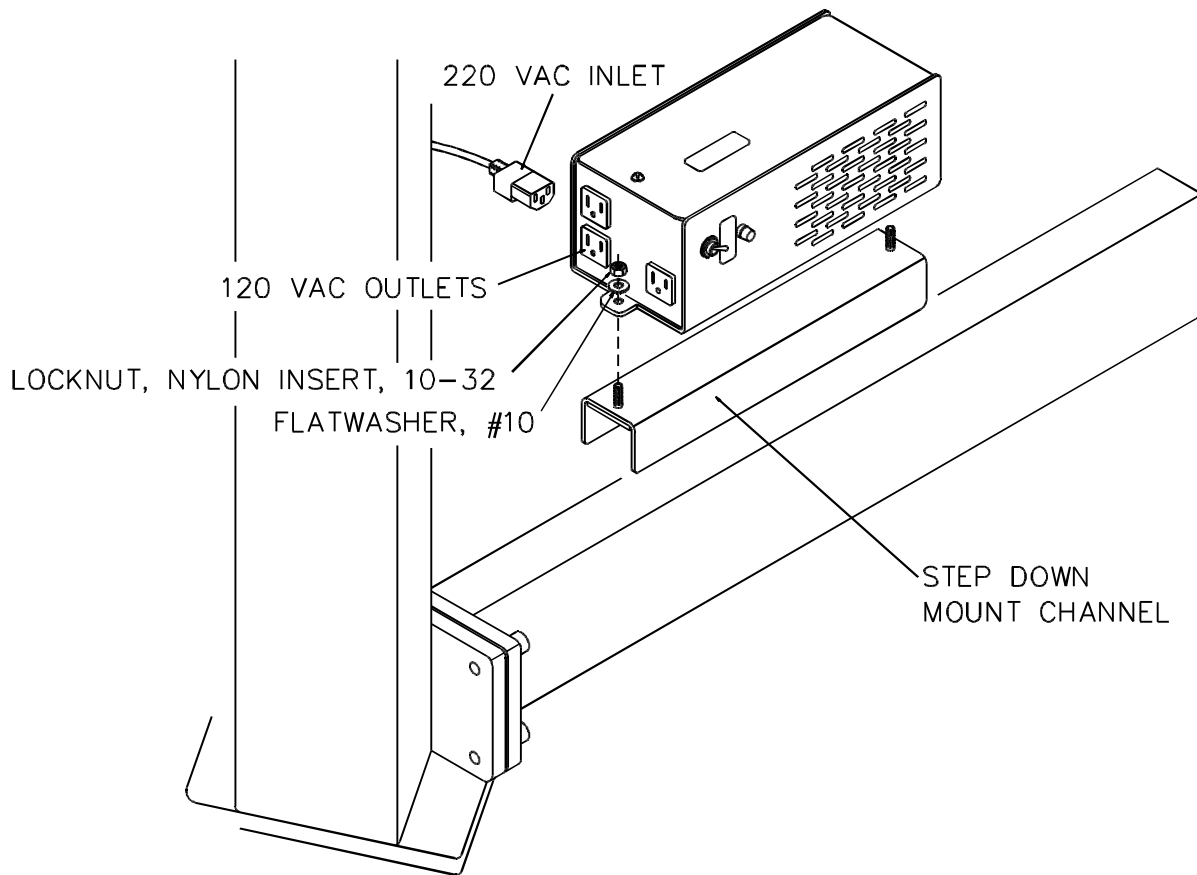


STEP DOWN TRANSFORMER 220/120

Installation & Parts List #4999

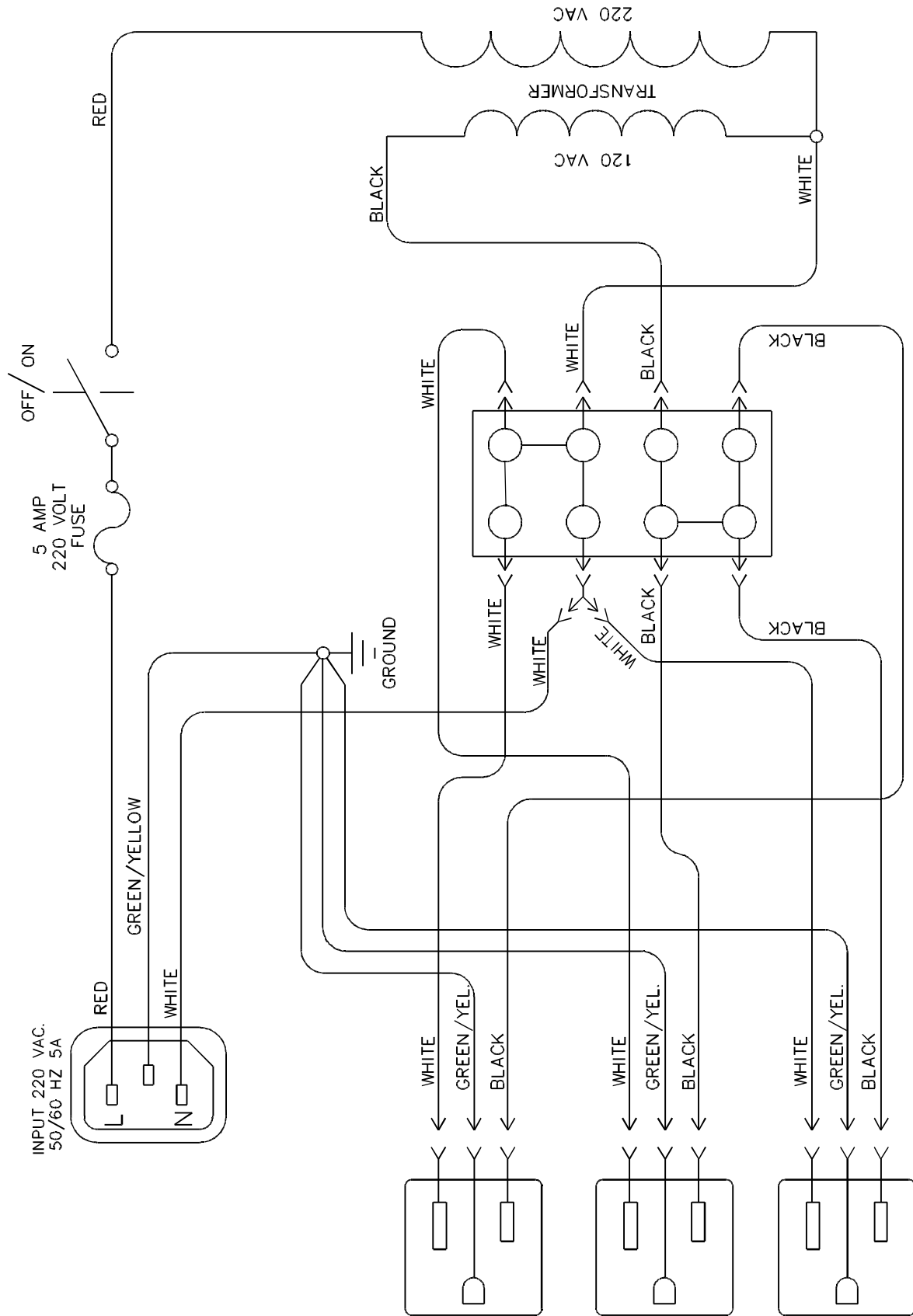


1. Install the Step Down Mount Channel on the base of the Step Down Transformer Assembly using the #10 Flatwashers and Locknuts, Nylon Insert 10-32.
2. Install the Transformer on the leg as shown.
3. Connect the 220 VAC Inlet Power Cord to the back side of the enclosure and to a 220 VAC power source.
4. Connect the 110 VAC Power Cords to the receptacles as required.

REPLACEMENT PARTS

Toggle Switch SPST On-Off
Fuse 5 Amp 5 x20mm
Fuse Holder 5x20mm
Transformer Replacement

Order Part No. 1024
Order Part No. 4816
Order Part No. 4748
Order Part No. 5003



STEP DOWN 220/120 SCHEMATIC