

# SCDC Timer Card

## Type 2 Operation

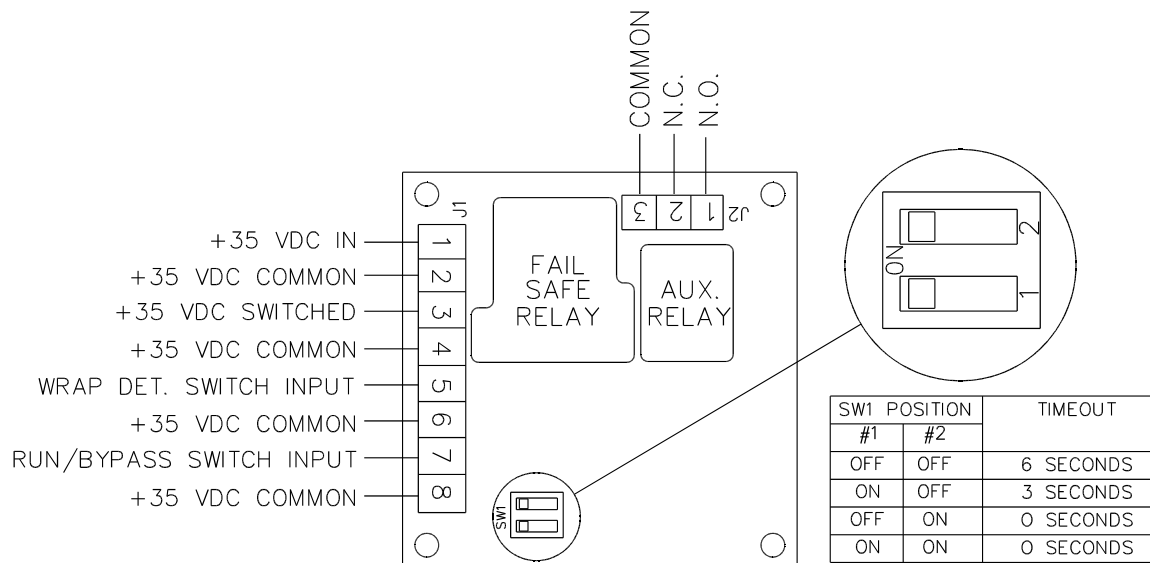
### Product Information Bulletin #5236

#### SCDC Timer Card Type 2

(Includes a 3 pin plug to connect to the aux. relay socket)

The SCDC Type 2 Timer Card (part no. 5349) is a direct replacement for timer cards previously used on SCDC Platter Systems. The Type 2 Timer Card has two additional features: First, an auxiliary relay with normal open and normal closed contacts that operates in tandem with the timer card fail safe relay, to signal external automation when the platter powers down due to a film wrap condition. This relay is supplied with a plug for connecting to the customer=s external automation.

Second, two dip switches were added to allow the customer to select the time lapse between the wrap condition and power removal from the platter system. The original timer card was hard wired for 6 second time lapse. The Type 2 Timer Card can be set for a zero, 3, or 6



seconds time lapse by configuring the dip switches using the chart provided.

**Note:** The Aux. Relay contacts are shown un-energized. Under normal operating conditions the relays are energized.