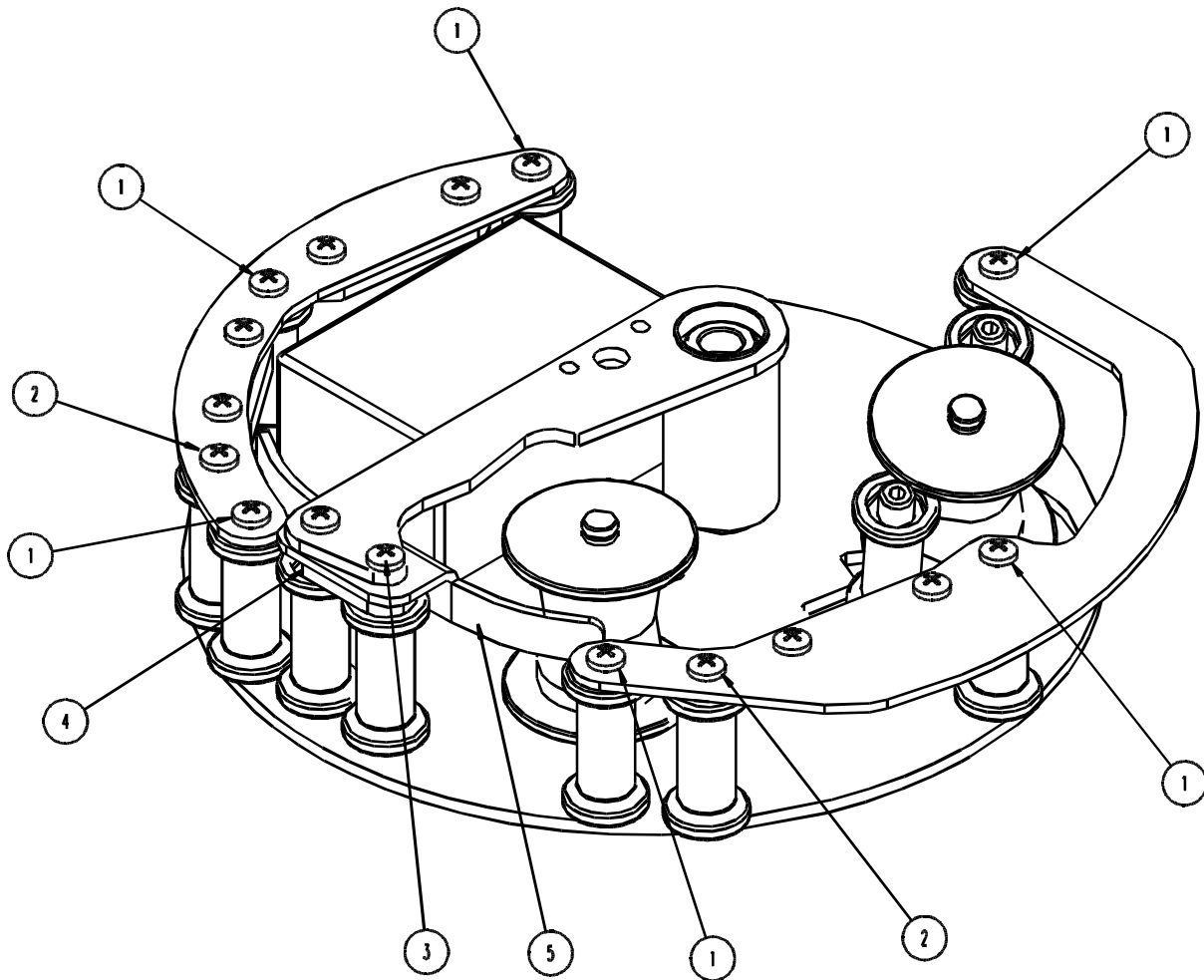


# CONTROL PLATE STATIC GUARD INSTALLATION INSTRUCTIONS #6172



1. Mount the two guards on the existing control plate spools as shown. Secure each guard to the control plate with #8 x 3/8 cross recess tapping screws, screwing them into the hex holes in the top of the spools at locations indicated by balloons #1.
2. Pre-assembled spools, indicated by balloons #2, are installed on the two guards.
3. Remove the spools and the big and small spacers from the control arm. Retain the original #10 x 3/4" tapping screws indicated by balloons #3. Discard the spacers. The spools will be reused.
4. Install the swivel arm blocker #5, then the new short film block (balloon #4), then the original spools using the original #10 x 1/2" tapping screws.