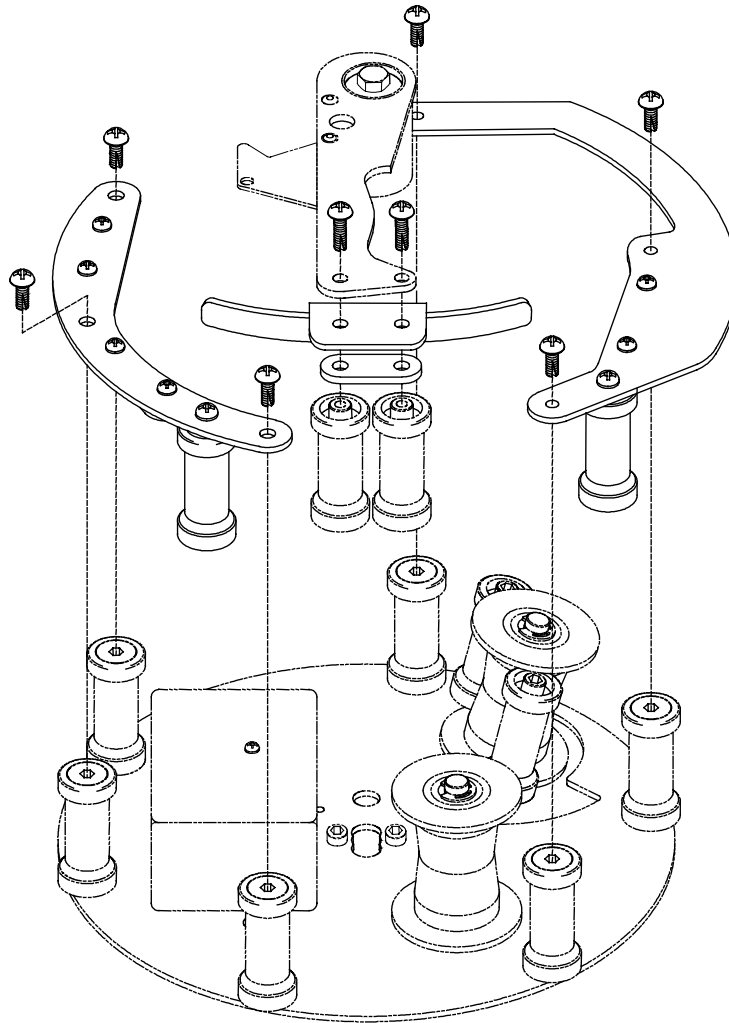


# CONTROL PLATE FILM BLOCKING KIT



- Installs on control plate to prevent film from being pulled into the control plate when static electricity is a problem.
- Easily installed using only a few hand tools. Includes all spools, guards and installation hardware.
- Compatible with all 35mm Control Plate Assemblies (Micro Switch, Phase Switch and SCDC)
- Order Film Blocking Kit #6164.