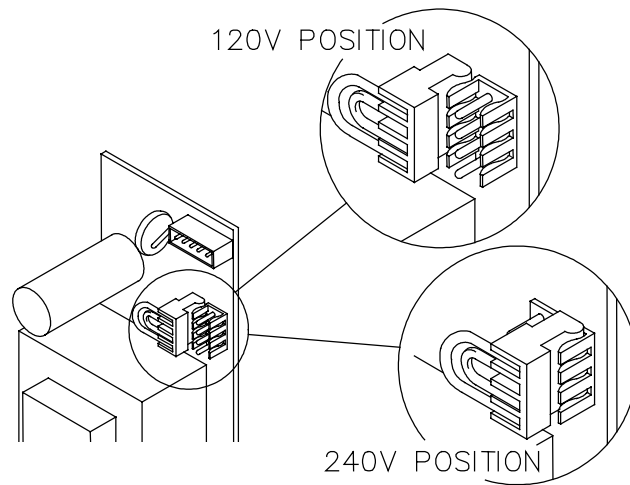


SCDC & DMC POWER SUPPLY JUMPER SETTINGS

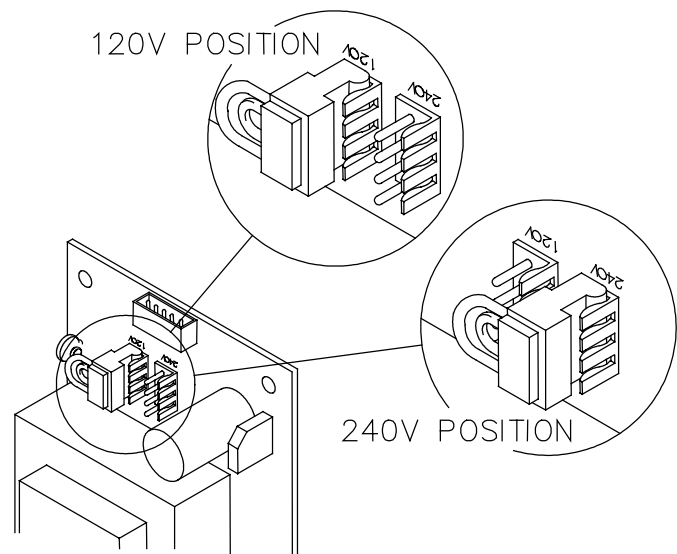
PRODUCT INFORMATION BULLETIN #6790

Before installing the Power Supply, position the 120V/240V Jumper to match the voltage supplied to the platter system.

SCDC POWER SUPPLY TRANSFORMER BOARD #4406



DMC POWER SUPPLY BOARD #3283



Manufactured in U.S.A by Design & Manufacturing, Inc. Fisher, IL 61843
www.design-mfg.net or Phone:217/897-1172