

# ALPHA ARM SWITCH IDENTIFICATION

## PRODUCT INFORMATION BULLETIN #7063

The Alpha Arm Switch #2352 used up to early 2005 is no longer available. The manufacturer is now supplying a replacement switch #7005. Because of the change, replacement of the selector switch on the Alpha Platter System arm now requires replacing the mounting plate along with the switch to accommodate the new switch. Everything needed to install the switch #7005 is included in one of two kits. To determine which kit is required for your platter, refer to the illustrations below.

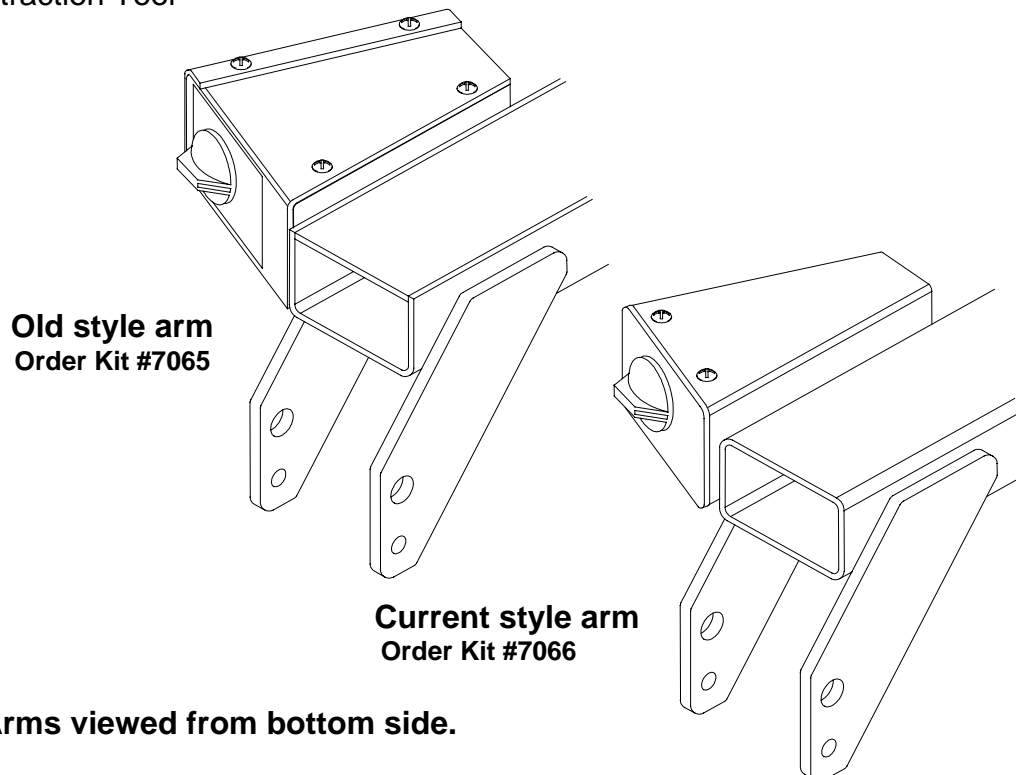
Old style arms use a "L" shaped switch mounting plate secured with four screws installed from the bottom. Order Alpha Arm Switch Replacement Kit #7065 for older arms.

Current arms use a flat plate secured with two screws installed from the top and two installed from the bottom. Order Alpha Arm Switch Replacement Kit #7066 for current style arms.

NOTE: Installation of the 7005 replacement switch requires the use of a "O" size phillips screwdriver and a pin extraction tool. These parts can be ordered separately.

#7067 Screwdriver

#2673 Pin Extraction Tool



**Note: Arms viewed from bottom side.**

Manufactured in U. S. A. by Design & Manufacturing, Inc. Fisher, IL 61843  
[www.design-mfg.net](http://www.design-mfg.net) or Phone: 217/897-1172