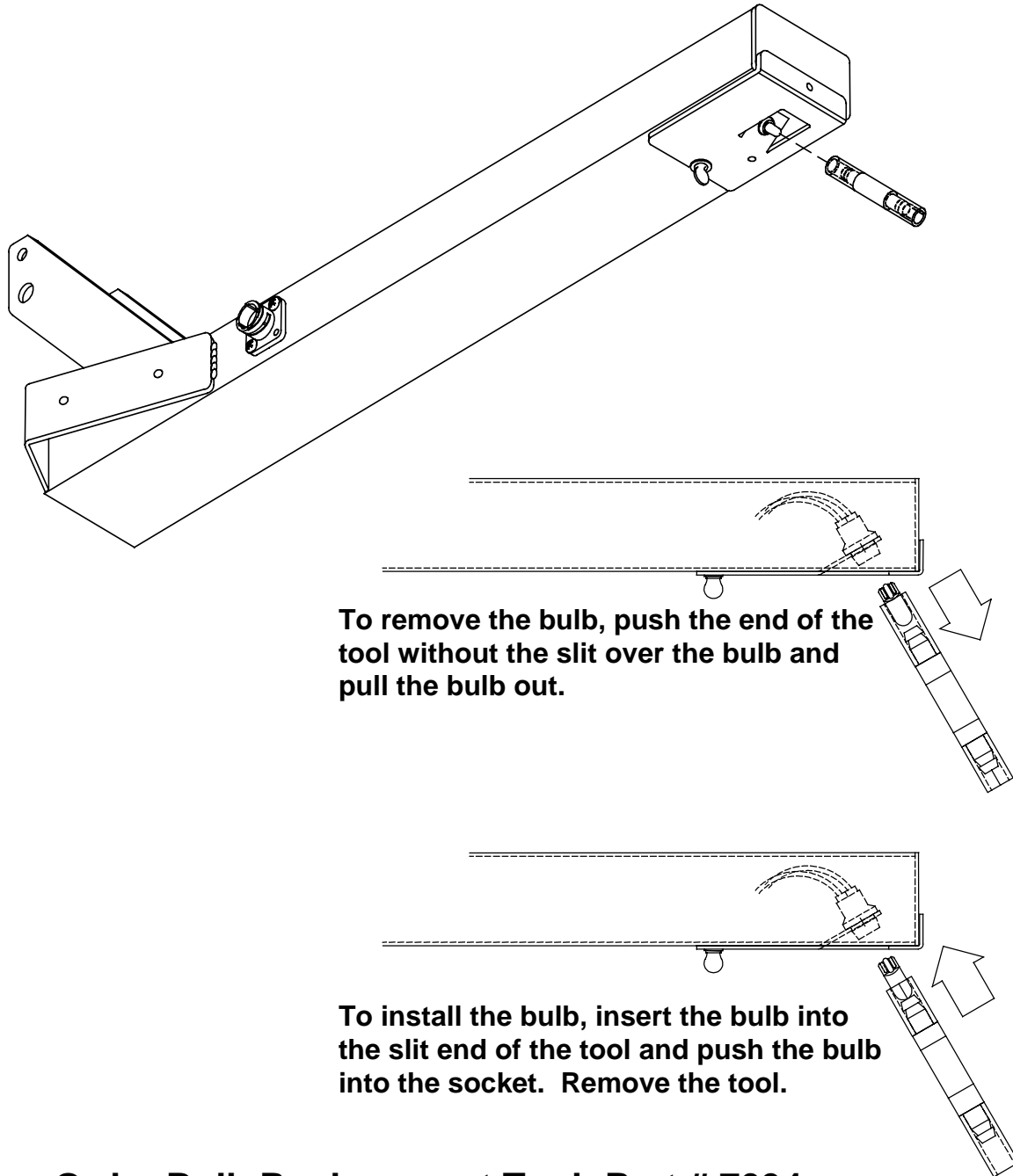


# BULB REPLACEMENT TOOL

PRODUCT INFORMATION BULLETIN #7101

The Bulb Replacement Tool allows easy removal and insertion of arm light bulbs in SCDC platter system arms. This simple tool is a must for every technicians tool kit.



To remove the bulb, push the end of the tool without the slit over the bulb and pull the bulb out.

To install the bulb, insert the bulb into the slit end of the tool and push the bulb into the socket. Remove the tool.

**Order Bulb Replacement Tool: Part # 7094**

Manufactured in U. S. A. by Design & Manufacturing, Inc. Fisher, IL 61843  
[www.design-mfg.net](http://www.design-mfg.net) or Phone: 217/897-1172