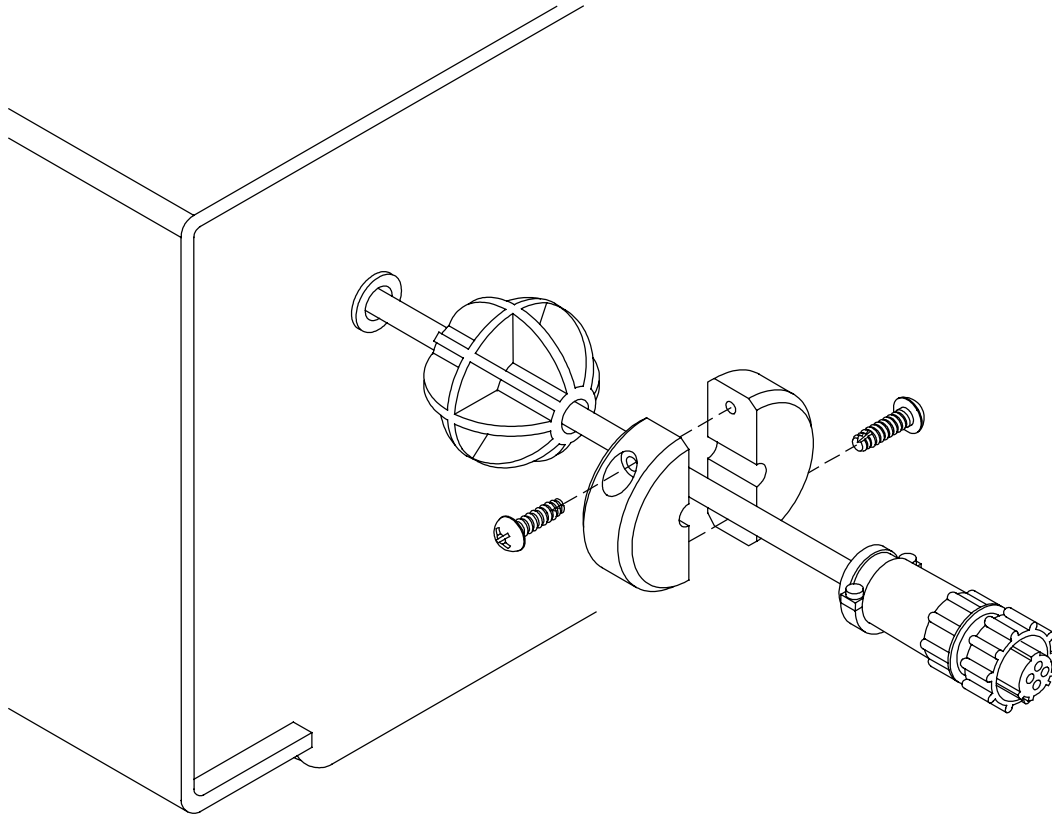


TABLE CORD STOP

PRODUCT INFORMATION BULLETIN #7104

Prevent damage to the table port cord plug caused by contact with the ball stop as the cord retracts. The Table Cord Stop provides a positive stop before the plug can make contact. Easily installed using only a phillips screwdriver.



Order Cord Stop Assembly: Part # 7103

Manufactured in U. S. A. by Design & Manufacturing, Inc. Fisher, IL 61843
www.design-mfg.net or Phone: 217/897-1172