

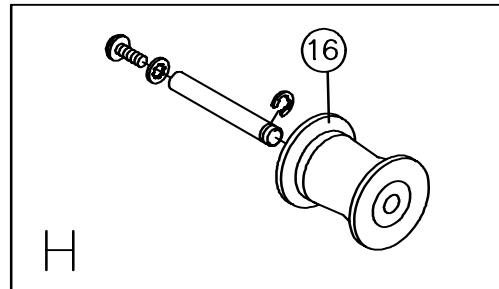
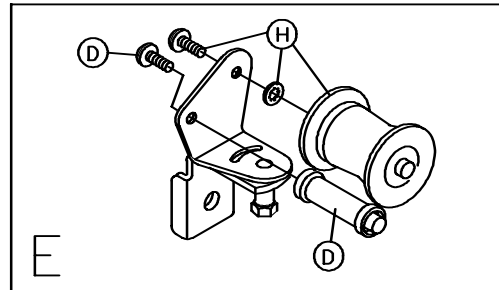
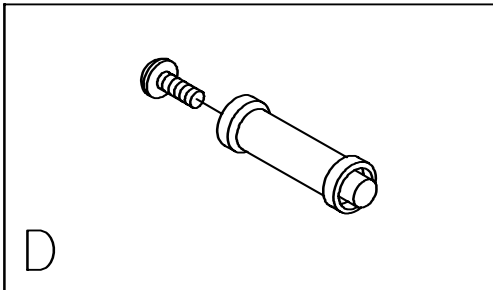
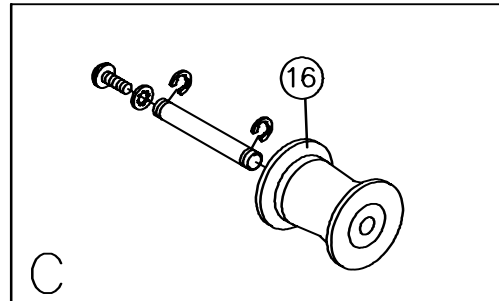
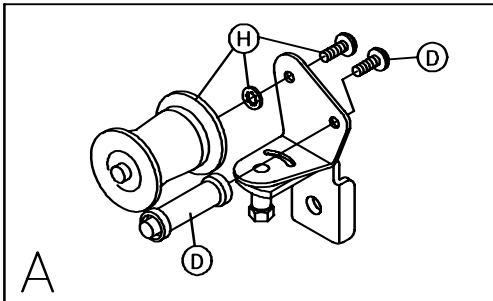
DELUXE TABLE 35mm

120V (#7120) and 220V (#7135)

Parts Manual #7133

Record Make-up Table identification number here:

Model # _____ Serial # _____



COMMON PULLEY ASSEMBLIES

- | | | | | | |
|---|------|-----------------------------------|----|------|------------------------------------|
| A | 4290 | Transfer Arm Swivel Assembly-Left | E | 4291 | Transfer Arm Swivel Assembly-Right |
| C | 2612 | Shaft #6 & Pulley 35mm | H | 2686 | Shaft #5 & Pulley 35mm |
| D | 2602 | Keeper Shaft & Spool Assembly. | 16 | 2414 | Pulley 35mm 5/16" ID |

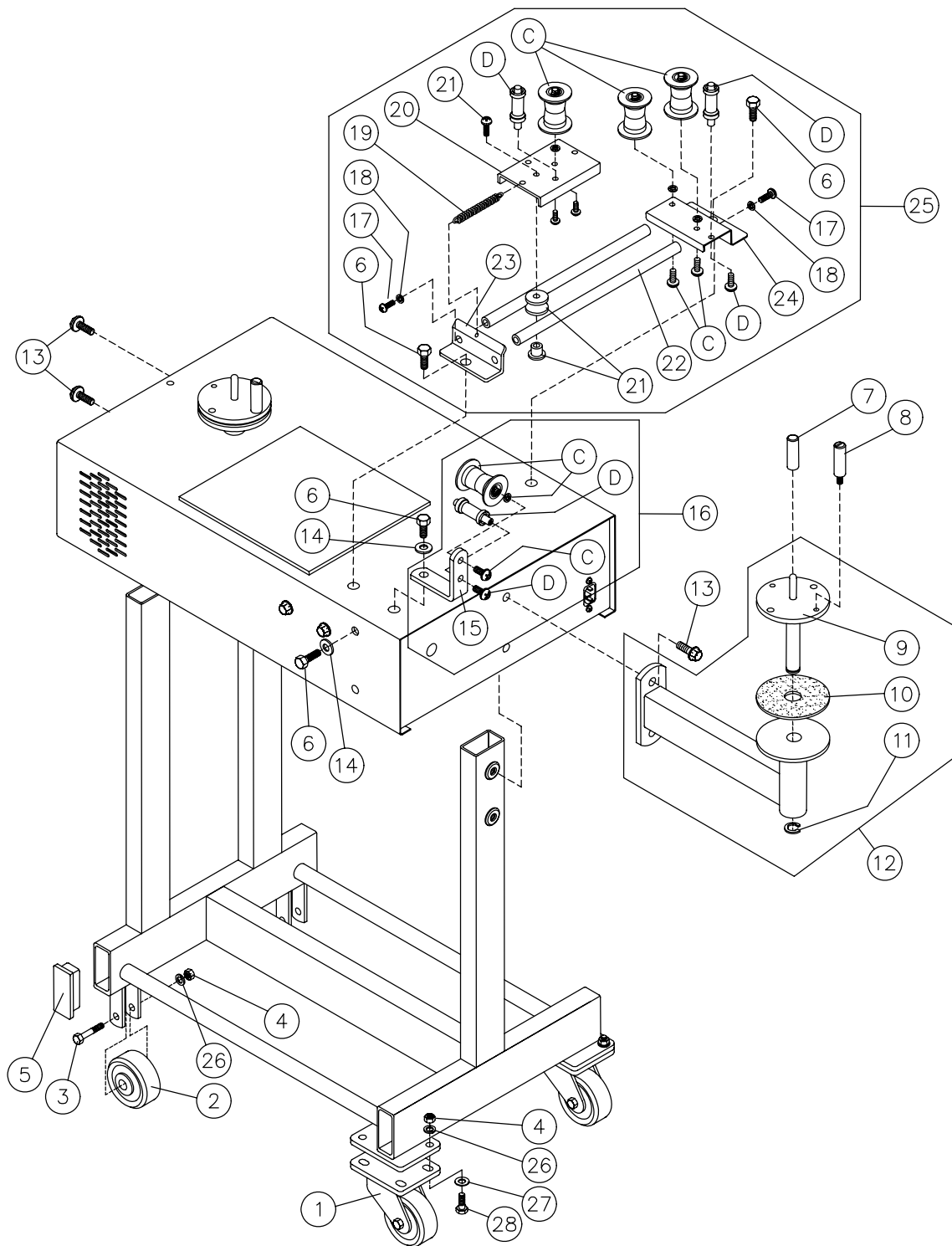
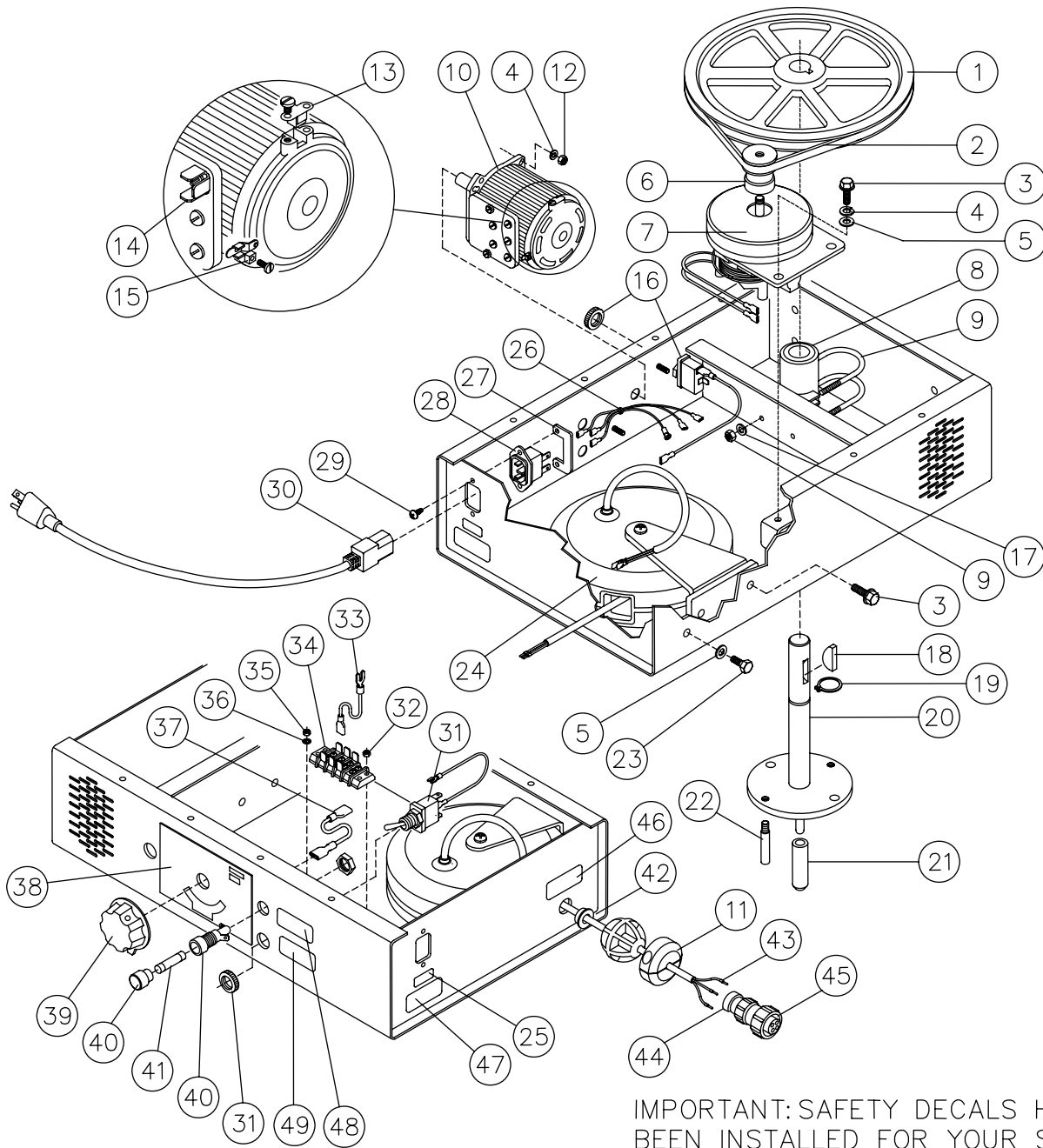


TABLE TOP PARTS 120V AND 220V DELUXE TABLES

TABLE TOP PARTS 120V AND 220V DELUXE TABLES

C	2612	Shaft #6 & Pulley w/steel bearings	14	1076	Flatwasher ¼"
D	2602	Keeper Shaft & Spool Assembly	15	1302	Pulley Bracket-Table
1	7077	Castor 3" w/Lock Swivel	16	1974	Table Pulley Bracket Assembly
2	7078	Table Wheel 3"	17	1071	Screw PTH 10-32 x 3/8"
3	7126	HHCS 5/16-18 x 2 ¼"	18	1078	Lockwasher #10 Internal Tooth
4	1090	Nut Hex 5/16-18	19	1300	Spring Extension 7/16 x 4"
5	1178	Table Leg End Cap	20	1299	Table Tensioner Carrier Plate
6	1055	HHCS ¼-28 x 1/2"	21	2629	Take-up Slide Shaft & Roller Asy
7	1312	Table Spindle Pin Adapter	22	1298	Table Tensioner Rail
8	1311	Table Reel Drive Pin	23	1301	Table Tensioner Lower Bracket
9	1534	Table Make-up Spindle Assembly	24	1297	Table Tensioner Upper Bracket
10	1315	Table Felt Clutch Pad	25	1557	Table Tensioner Assembly
11	1316	Snap Ring Outside ¾"	26	1080	Lockwasher 5/16" Split Ring
12	1334	Table Make-up Arm Assembly	27	1100	Flatwasher 5/16" SAE
13	2367	HWHC ¼-20 x 5/8"	28	4538	HHCS 5/16-18 x ¾"



IMPORTANT: SAFETY DECALS HAVE BEEN INSTALLED FOR YOUR SAFETY AND THE SAFETY OF OTHERS. IF DECALS BECOME UNREADABLE, REPLACE IMMEDIATELY.

TABLE BOTTOM PARTS 120V DELUXE TABLE

TABLE BOTTOM PARTS 120V DELUXE TABLE

1	1321	Table Sheave	26	4851	Table Power Inlet Harness
2	1260	Table Drive Belt	27	4836	Power Inlet Retainer
3	2367	HWHC ¼-20 x 5/8"	28	4374	Power Inlet Flanged
4	1079	Lockwasher ¼" Split Ring	29	2521	Screw PPH #8 x 3/8" Type 25
5	1076	Flatwasher ¼"	30	4486	Power Cord 18-3 120v
6	1319	Table Drive Pulley	31	2423	Toggle Switch SPDT QC
7	1444	Table Motor & Mount Assembly	32	1084	Locknut Nylon Insert 6-32
8	1452	Table Drive Hub Sub-Assembly	33	7131	Dlx Table Terminal Block Harness
9	1273	Table Drive Hub Clamp	34	7014	Terminal Block Asy Dlx Table
10	1006	Transformer 110V Replace Kit	35	1083	Nut Hex 6-32
11	7103	Cord Stop	36	1138	Lockwasher #6 Internal Tooth
12	1087	Hex Nut ¼-28	37	6812	Fuse To Transformer Harness
13	1005	Brush, Variac (Staco 1010)	38	2666	Decal Make-up Table Controls
14	6839	Fas-Tab 3 Terminal Connector	39	1289	Table Variac Knob
15	2103	Contact Asy, Variac (Staco 1010)	40	6697	Fuse Holder QC
16	7119	Dlx Table Light Switch Harness	41	2265	Fuse 8 Amp 125v
17	1080	Lockwasher 5/16" Split Ring	42	1176	Bushing Plastic 5/8"
18	1054	Key Woodruff #9	43	2063	Pin Female
19	1316	Snap Ring Outside ¾"	44	2070	Clamp Cable #11
20	1512	Table Drive Spindle Assembly	45	2057	Plug 4-Pin (Std Sex)
21	1312	Table Spindle Pin Adapter	46	4655	Decal, ETL
22	1311	Table Reel Drive Pin	47	7330	Decal, Hazardous Voltage
23	1055	HHCS ¼-28 x ½"	48	3788	Decal, Fuse Replacement
24	6818	Table Cable Reel	49	3790	Decal, Disconnect Supply Cord
25	4581	Decal 120 vac			

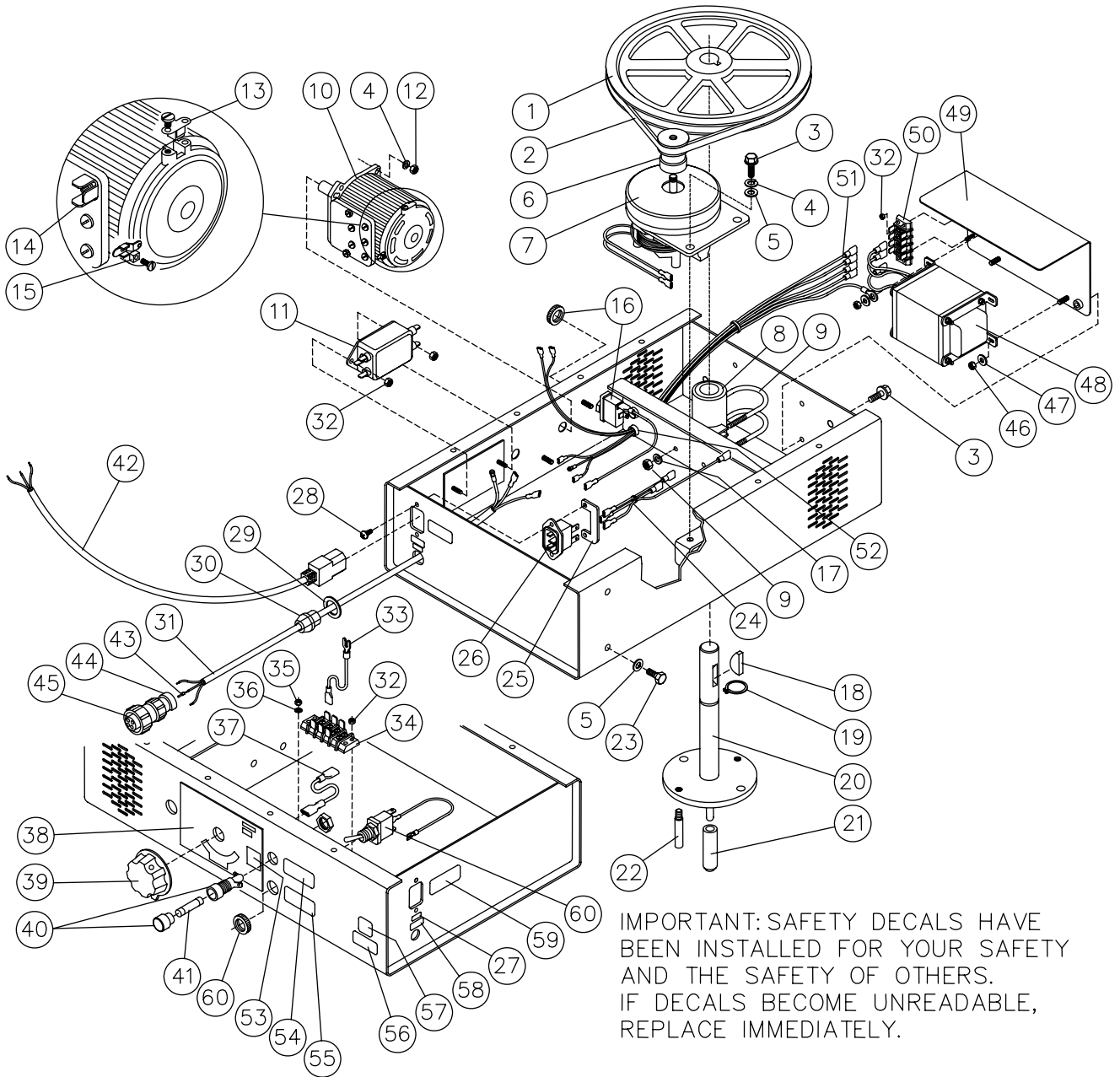
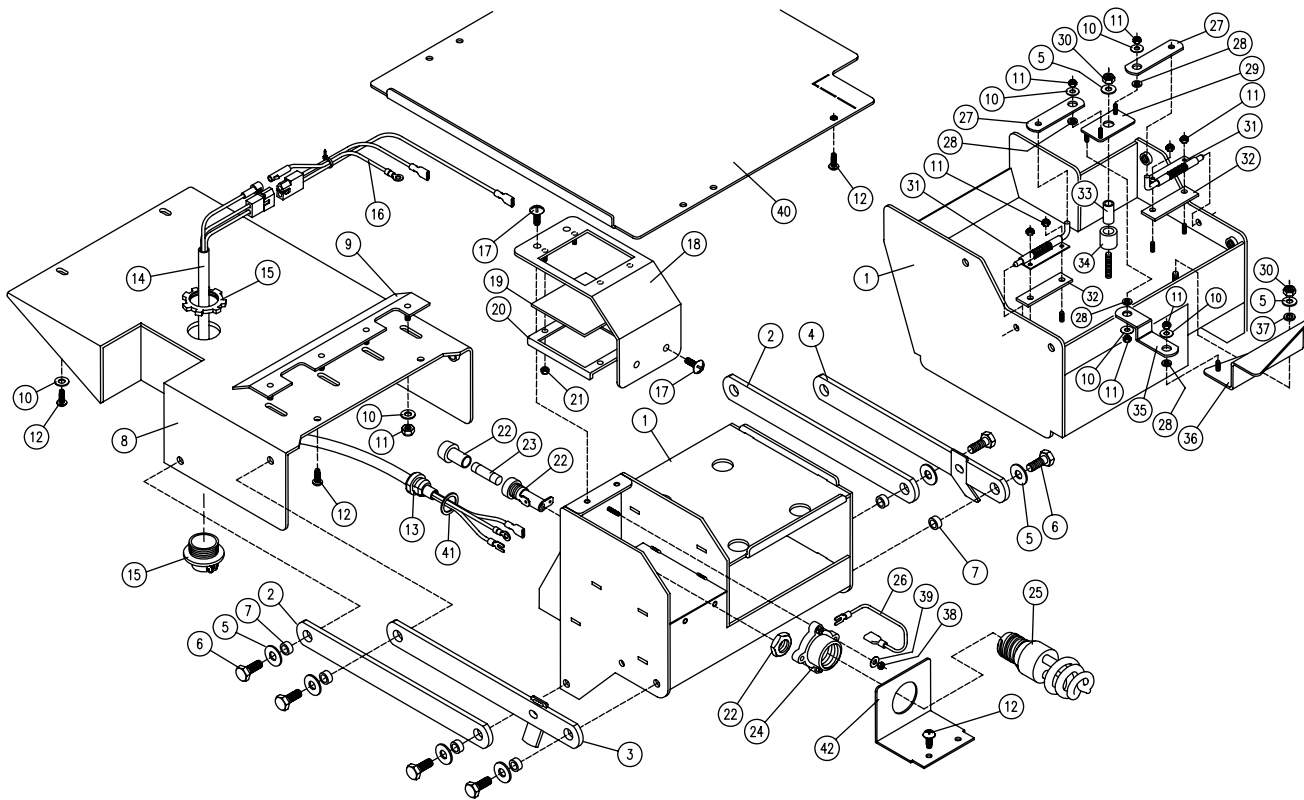


TABLE BOTTOM PARTS 220V DELUXE TABLE

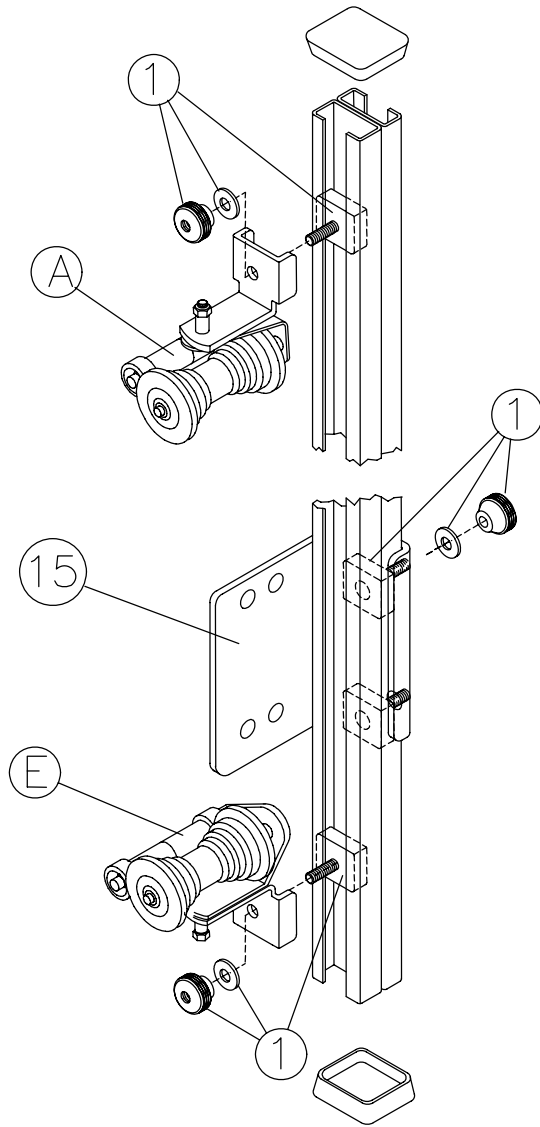
TABLE BOTTOM PARTS 220V DELUXE TABLE

1	1321	Table Sheave	31	4824	Table Platter Drive Cable (includes items 43, 44 & 45)
2	1260	Table Drive Belt	32	1084	Locknut Nylon Insert 6-32
3	2367	HWHC ¼-20 x 5/8"	33	7131	Dlx Table Terminal Block Harness
4	1079	Lockwasher ¼" Split Ring	34	7014	Terminal Block Asy Deluxe Table
5	1076	Flatwasher ¼"	35	1083	Nut Hex 6-32
6	1319	Table Drive Pulley	36	1138	Lockwasher #6 Internal Tooth
7	1444	Table Motor & Mount Assembly	37	6812	Fuse To Transformer Harness
8	1452	Table Drive Hub Sub-Assembly	38	2666	Decal Make-up Table Controls
9	1273	Table Drive Hub Clamp	39	1289	Table Variac Knob
10	1006	Transformer 120V Replace Kit	40	4748	Fuse Holder 5 x 20mm
11	4815	Line Filter Table 5 Amp	41	4816	Fuse 5 Amp 5 x 20mm
12	1087	Hex Nut ¼-28	42	3734	Power Cord 16-3 CE Colors
13	1005	Brush, Variac (Staco 1010)	43	2063	Socket CPC
14	6839	Fas-Tab 3 Terminal Connector	44	2070	Clamp Cable #11
15	2103	Contact Asy, Variac (Staco 1010)	45	2057	Plug 4-Pin (Std Sex)
16	7119	Dlx Table Light Switch Harness	46	2449	Locknut Nylon Insert 10-32
17	1080	Lockwasher 5/16" Split Ring	47	1075	Flatwasher #10
18	1054	Key Woodruff #9	48	5058	Table CE Transformer Assembly
19	1316	Snap Ring Outside ¾"	49	5059	Table CE Transformer Mount
20	1512	Table Drive Spindle Assembly	50	5056	Table CE Terminal Block Asy
21	1312	Table Spindle Pin Adapter	51	5057	Table CE Transformer Harness
22	1311	Table Reel Drive Pin	52	1176	Bushing Plastic 5/8"
23	1055	HHCS ¼-28 x ½"	53	4829	Decal, Table Fuse CE 220
24	4825	Table Filter Harness CE 220	54	3778	Decal, Fuse Replacement
25	4836	Power Inlet Retainer	55	3790	Decal, Disconnect Power Cord
26	4374	Power Inlet Flanged	56	4655	Decal, ETL
27	4582	Decal 220 vac	57	4657	Decal, CE 1" Square
28	2521	Screw PPH #8 x 3/8" Type 25	58	3785	Decal 220 vac
29	1763	Back-up Washer	59	7330	Decal, Hazardous Voltage
30	2391	Strain Relief 5/8 x .125	60	2423	Table Power Switch Harness



SPLICER STATION PARTS 120V AND 220V DELUXE TABLES

1	7047	Splicing Station Cabinet	22	6697	Fuse Holder QC (120V)
2	7049	Splicing Station Arm	22	4748	Fuse Holder 5 x 20mm (220V)
3	7099	Splicing Station Upper Arm Weldment L	23	2338	Fuse 1.5 Amp 250V (120V)
4	7098	Splicing Station Upper Arm Weldment R	23	7114	Fuse 1.6 Amp 5 x 20mm (220V)
5	1076	Flatwasher 1/4"	24	7080	Lampholder Phenolic
6	5004	HHCS 1/4-20 x 3/4	25	7079	Fluorescent Bulb 13W
7	7051	Bushing .375 OD X .259 ID X .275 L	26	7068	Splicing Station Fuse Harness
8	7048	Splicing Station Mount Panel Weldment	27	7046	Splicing Station Connecting Link
9	7039	Splicing Station Mount Clamp	28	7053	Bushing .375 OD X .209 ID X .085 L
10	1075	Flatwasher #10	29	7042	Splicing Station Latch Trip
11	2449	Lock Nut Nylon Insert 10-32	30	2395	Lock Nut Nylon Insert 1/4-20
12	1091	Screw PPH 10-24 X 3/8 Type F	31	5802	Slide Latch
13	2391	Strain Relief 5/8 x .125	32	7045	Splicing Station Latch Spacer
14	7059	Splicing Station Cabinet Harness (120V)	33	7052	Bushing .375 OD X .259 ID X .704 L
14	7110	Splicing Station Cabinet Harness (220V)	34	7054	Bushing .750 OD X .406 ID X .620 L
15	7081	Box Connector 3/4"	35	7044	Splicing Station Latch Link
16	7113	Splicing Station Table Harness Kit (120V)	36	7043	Splicing Station Latch Lever
16	7112	Splicing Station Table Harness Kit (220V)	37	7055	Bushing .375 OD X .259 ID X .085 L
17	1071	Screw PTH 10-32 X 3/8	38	1807	Lock Nut Nylon Insert 8-32
18	7036	Splicing Station Lamp Cover	39	4962	Flatwasher #8 3/8 OD SS
19	7057	Splicing Station Lamp Diffuser	40	7041	Splicing Station Table Cover
20	7035	Splicing Station Diffuser Clamp	41	1763	Back-up Washer Strain Relief
21	1084	Lock Nut Nylon Insert 6-32	42	7328	Splicing Station Wiring Guard



TRANSFER ARM ASSEMBLY 35MM, ADJUSTABLE PARTS #1810

A	4290	Transfer Arm Swivel Assembly-Left
E	4291	Transfer Arm Swivel Assembly-Right
1	2697	Transfer Arm End Cap 1 ¼" Sq. Ext
2	4313	Transfer Arm Knob Assembly (includes items 3, 4 & 5)
3	3958	Transfer Arm Clamp Plate Assembly
4	1076	Flatwasher ¼"
5	3937	Transfer Arm Knob
6	3936	Transfer Arm Mount Bracket 35mm