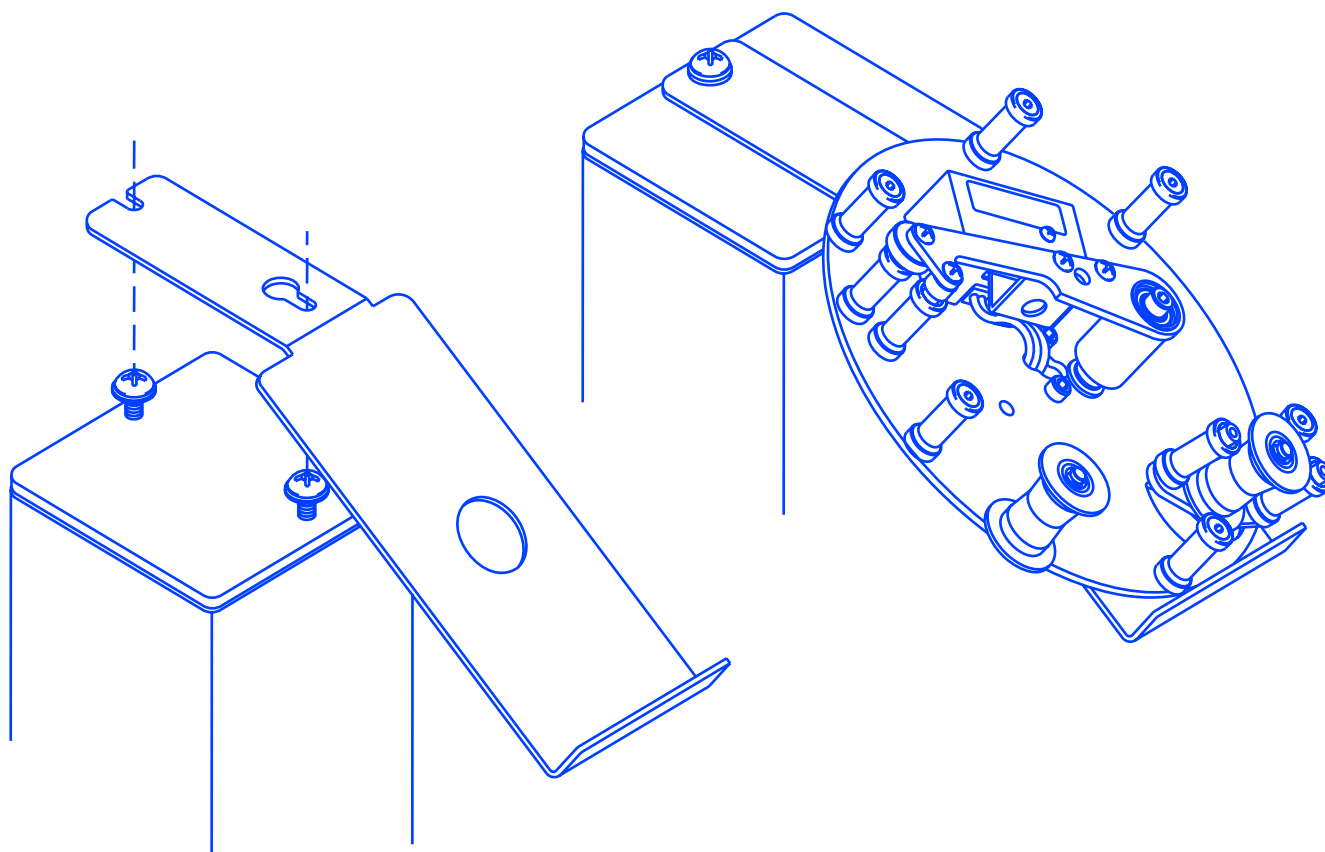


CONTROL PLATE STORAGE RACK

PRODUCT INFORMATION BULLETIN #7168

The control plate storage shelf provides a convenient place to store the control plate any time the plate is removed from the platter. Installation requires only the loosening of the screws securing the column cap and installing the rack over the screws and washers. Slide the rack under the washers and retighten the screws. Install the rack on the arm side of the column. Fits all columns with cap secured with screws.

Order Control Plate Storage Rack #7169.



Manufactured in U.S.A by Design & Manufacturing, Inc. Fisher, IL 61843
www.design-mfg.net or Phone:217/897-1172