

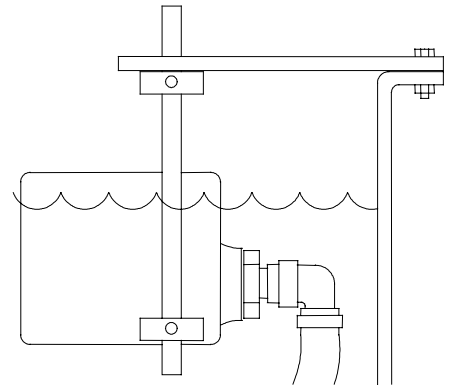
SKIMERATOR®

ACCESSORIES



Hanging Mount Bracket

- Allows the skimmer box to be suspended from the sump flange lip, side or top surface. Can be bent and drilled and clamped or bolted to the sump. (Shown here with the deep draft skimmer box. Skimmer box and post are not included.)
- Order No. 3259



Reservoir Stand

- Elevates the reservoir to correct height for coolant return and aeration. Rugged one-piece construction with durable powder coat finish. Available in a 12" model.
- Order No. 4599

